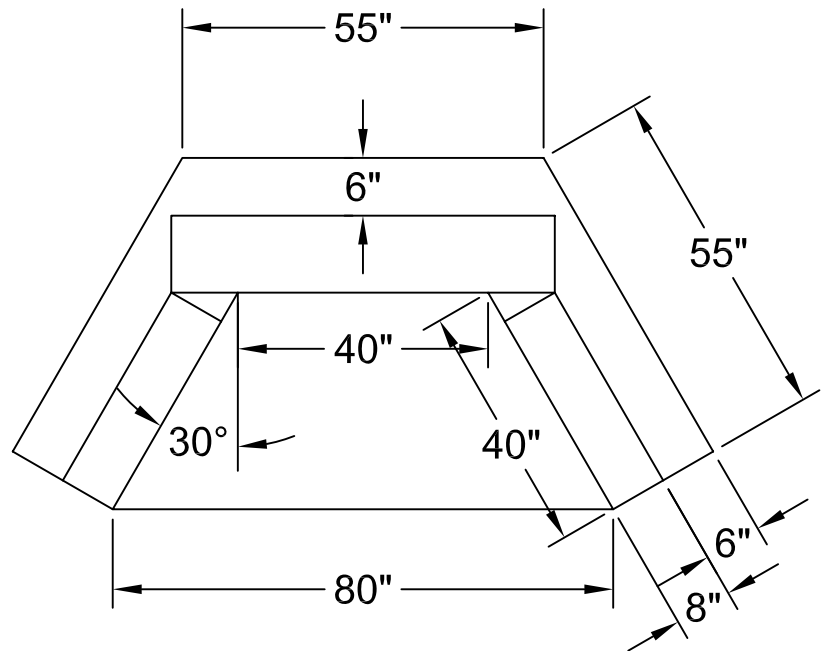
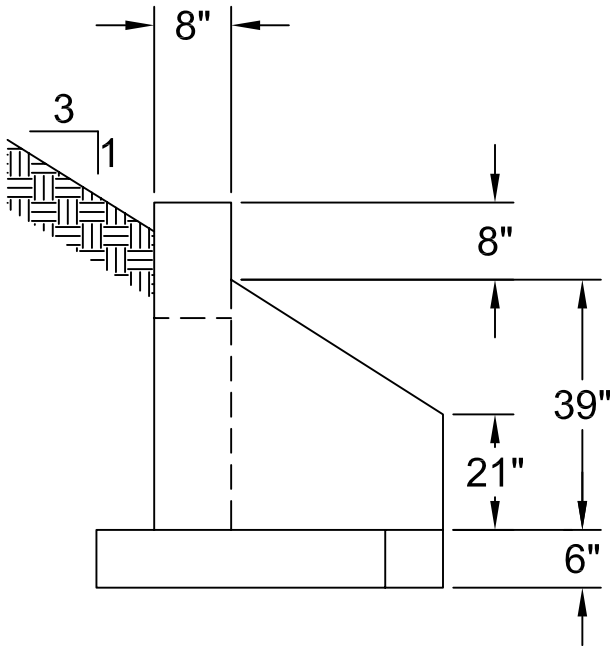
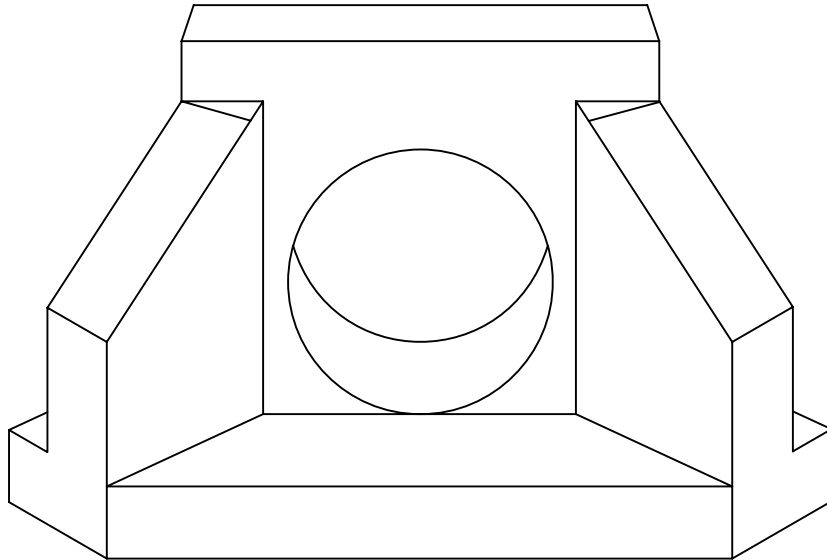


NOTE: ALL REINFORCEMENT
TO BE #4 BAR 12" C/C
IN CENTER LINE OF WALL
AND FOOTER.



PIPE SIZE:

21" RCP or ADS / 24" CMP up to
30" RCP or ADS / 36" CMP



1-800-638-6884
www.gillespieprecast.com

DW ENDWALL
Medium

DRAWN BY:

J.T.

DATE:

1-29-02

SCALE:

Not to Scale

DWG. #:

1 of 1