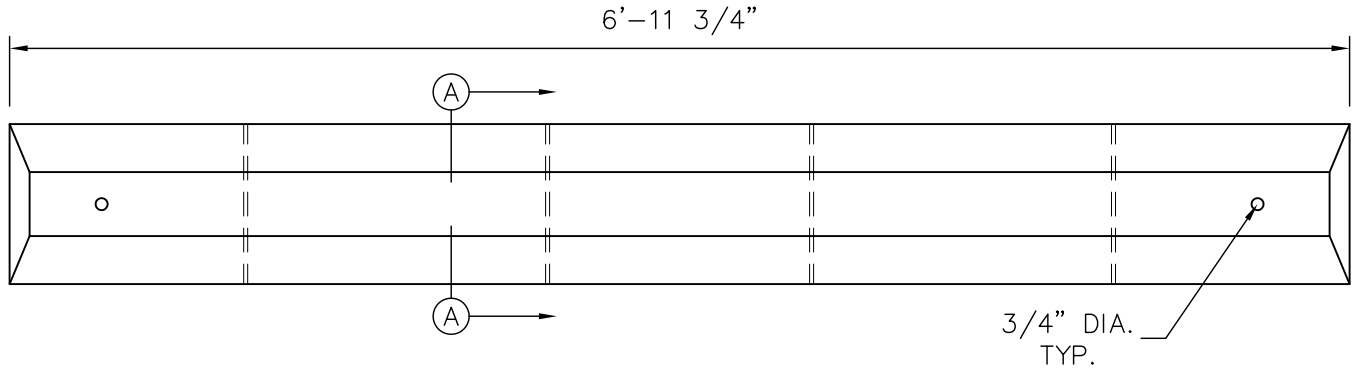


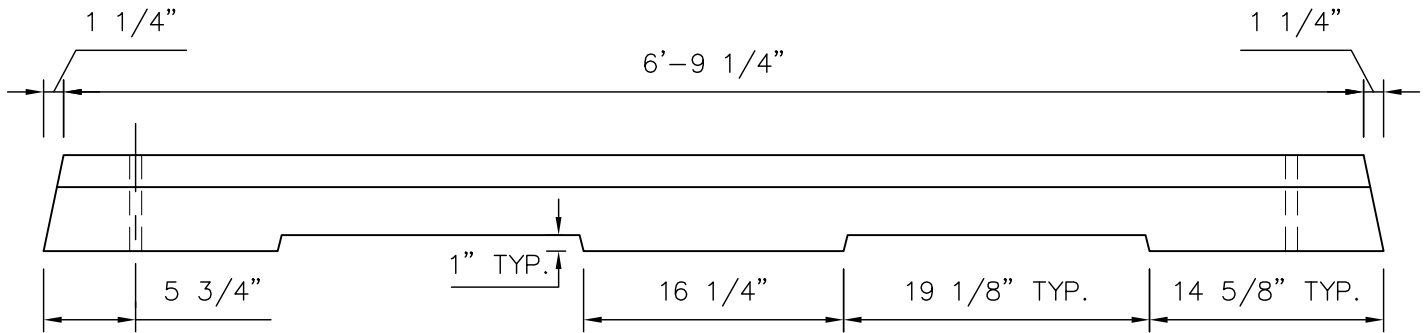
NOTES:

1. Concrete Strength: 5000 psi at 28 days.
2. Reinforcement: ASTM A-615 Grade 60.
3. Pins Available: #5 Rebar @ 18" Long.
4. Weight: 240 lbs.



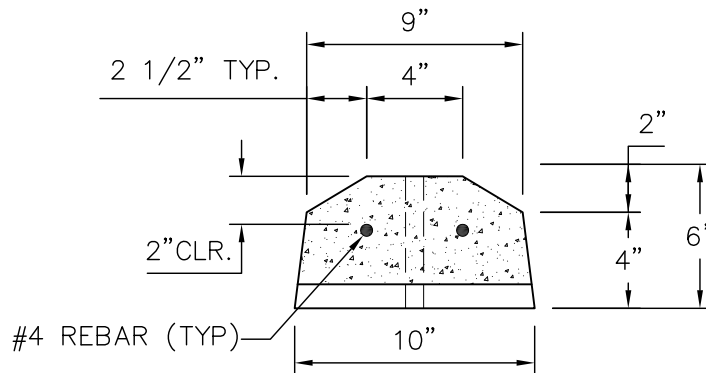
PLAN VIEW

SCALE: 1" = 1'-0"



FRONT VIEW

SCALE: 1" = 1'-0"



SECTION VIEW A-A

SCALE: 1 1/2" = 1'-0"



1-800-638-6884
www.gillespieprecast.com

7' Parking Bumper

DRAWN BY:

JHP

DWG.:

1 of 1

SCALE:

AS NOTED

DATE:

11/3/15