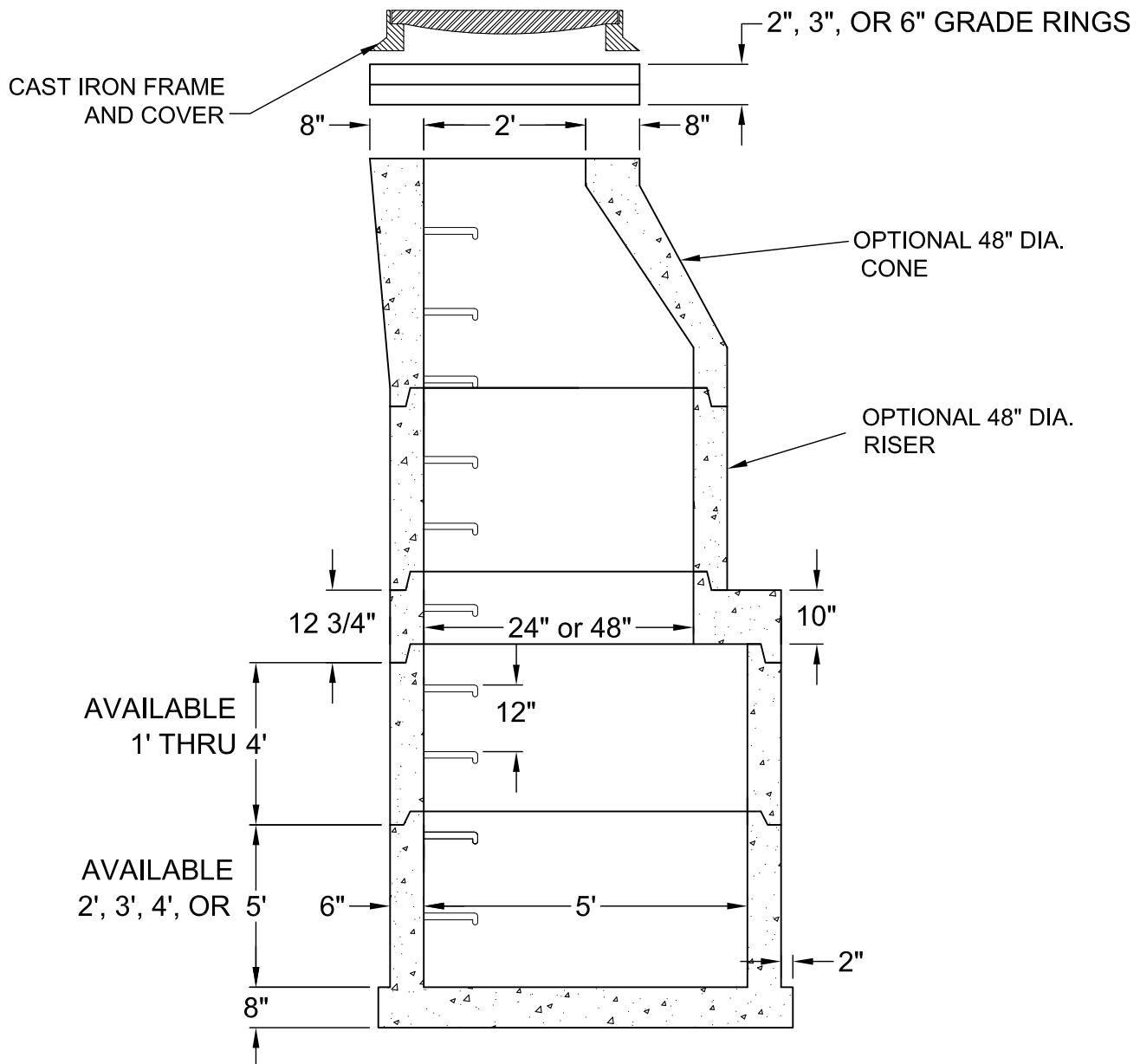


GENERAL NOTES:

1. Manhole is manufactured I.A.W. ASTM C-478.
F'c = 4500 psi @ 28 days.
2. Dimensions to meet field requirements and project elevations.
3. Reinforcing: ASTM A-185 area 0.15 in/vertical ft.
4. Ladder rungs are steel reinforced, polypropylene coated type ML-10.
5. Manhole joints to be sealed using Conseal CS-102 Butyl Sealant or mortar.
6. Flow channels by contractor in field.



1-800-638-6884
www.gillespieprecast.com

60" Diameter Storm Manhole

DRAWN BY:

J.T.

DATE:

12-20-02

SCALE:

Not to Scale

DWG. #:

1 of 1