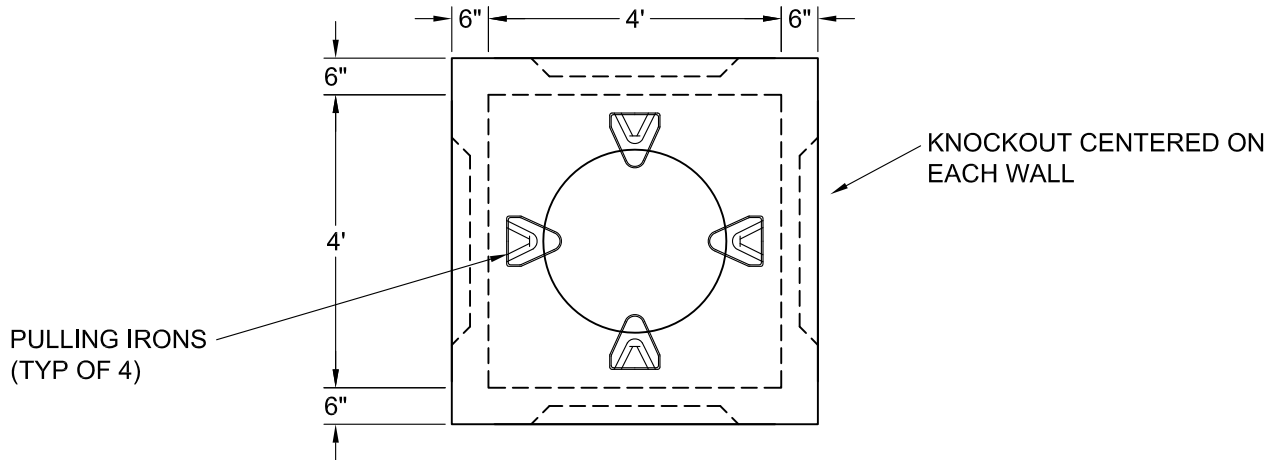
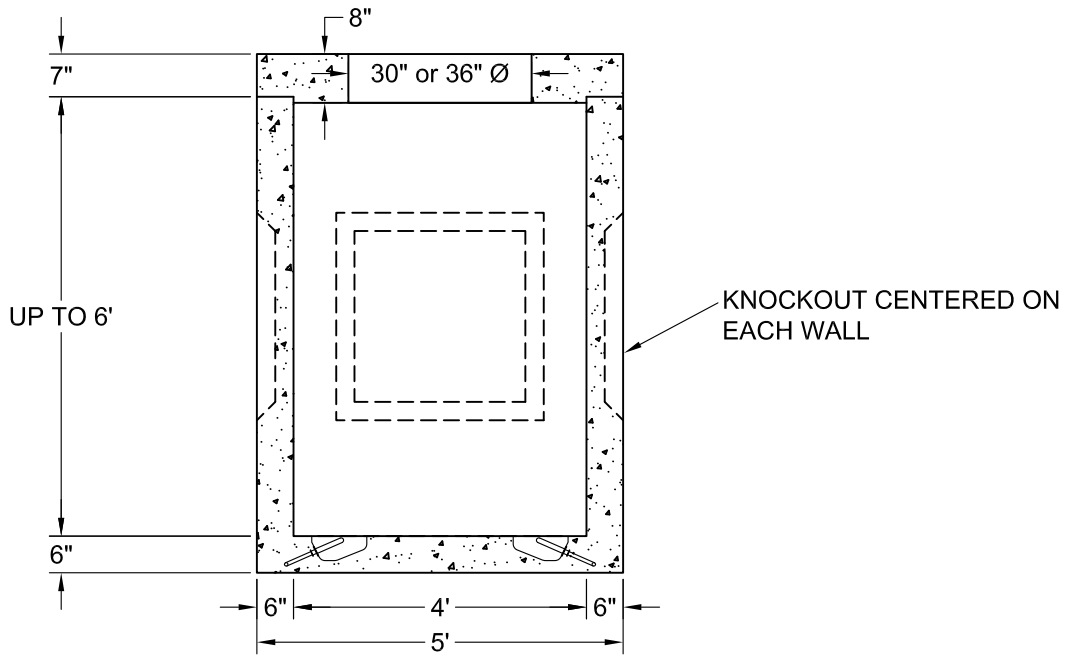


GENERAL NOTES:

1. Concrete: 5000 P.S.I. minimum strength @ 28 days.
2. Steel reinforcement - ASTM A-615 Grade 60.
3. Cover to steel - 1" minimum.
4. Vaults are designed to meet ASTM C857 and ACI 318 with AASHTO HS-20 Loading.
5. Construction joint - sealed with Conseal CS-102.



PLAN VIEW



SECTION VIEW



1-800-638-6884
www.gillespieprecast.com

**ELECTRIC MANHOLE
48" X 48"**

DRAWN BY: G.D.	DWG.: 1 of 1
SCALE: Not to Scale	DATE: 7-17-13