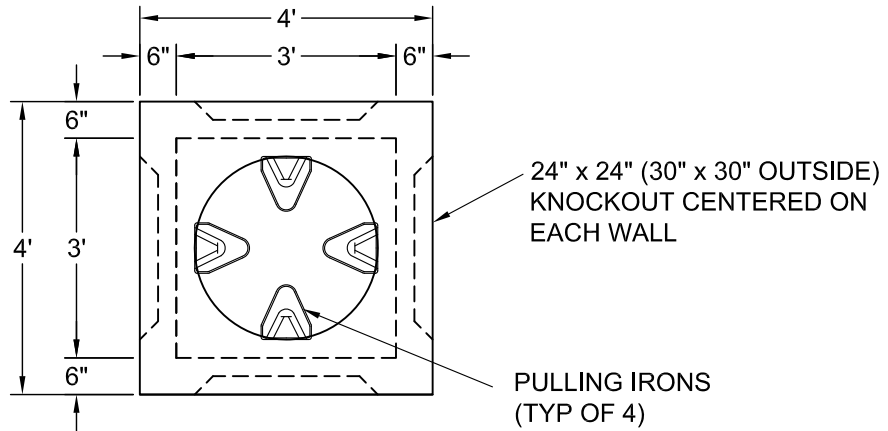
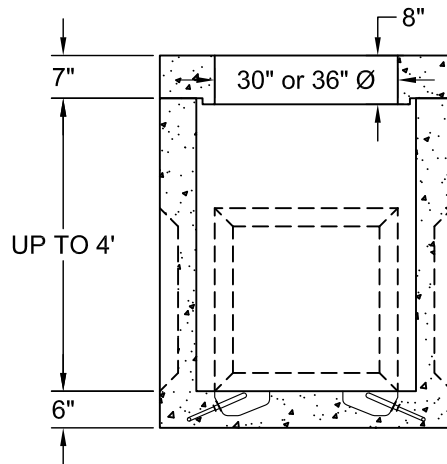


**GENERAL NOTES:**

1. Concrete: 5000 P.S.I. minimum strength @ 28 days.
2. Steel reinforcement - ASTM A-615 Grade 60.
3. Cover to steel - 1" minimum.
4. Vaults are designed to meet ASTM C857 and ACI 318 with AASHTO HS-20 Loading.
5. Construction joint - sealed with Conseal CS-102.



PLAN VIEW



SECTION VIEW



1-800-638-6884  
www.gillespieprecast.com

**ELECTRIC MANHOLE  
36" X 36"**

DRAWN BY: G.D.

DWG.: 1 of 1

SCALE: Not to Scale

DATE: 5-28-13